

LU-SP WEAR ELEMENTS

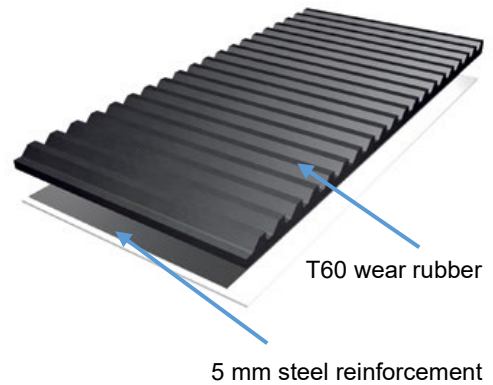
Profiled, black, 60 Shore (A)

Excellent wear protection with serrated surface:

- Handles flow with low impact angle (10° - 50°)
- High wear-resistance rubber
- Hot-vulcanized 5 mm steel reinforcement

LU-SP wear plates are manufactured from wear-resistant rubber and have a serrated surface. The serrated surface has been designed to provide optimal life for material with impact angles between 15° and 50°.

LU-SP wear plates are reinforced with fixed hot-vulcanized 5 mm steel plate. The steel backing guarantees secure fixing so that the wear plates remain together even if the lining is exposed to extremely abrasive and sharp particles.



Choice of materials:

LU-SP wear elements are manufactured from T60 wear rubber with excellent wear resistance in applications with both impact and sliding wear. LU-SP wear plates reduce noise and vibrations and are lighter compared to other conventional steel linings. LU-SP wear elements are available in thicknesses ranging from 50 mm to 125 mm and are manufactured in standard dimensions.

LU-SP wear plates provide excellent wear protection for bins, chutes, silos and other applications that are subject to wear and noise. for installation in medium-heavy applications in rock and gravel industry and demanding mining and industrial applications. LU-SP plates are fixed using a through-bolt system or with stud-welded bolts in combination with a proven fixing pattern.

LU-SP-Wear Elements – Standard range:

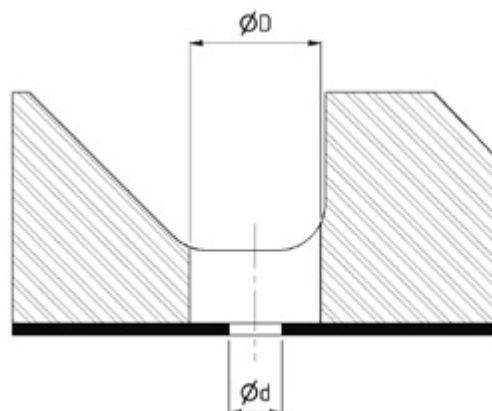
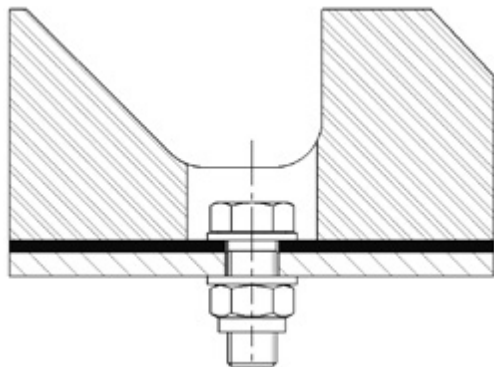
Product Code:	Description	Width x Length (mm)	Weight (kg/pce)
680131	LU-SP 50/5	50x500x1000 mm	38
680132	LU-SP 50/5	50x500x1500 mm	57
680133	LU-SP 50/5	50x600x1000 mm	46
680134	LU-SP 50/5	50x600x1500 mm	69
680135	LU-SP 50/5	50x750x1000 mm	57
680136	LU-SP 50/5	50x750x1500 mm	86
680142	LU-SP 75/5	75x500x1500 mm	70
680143	LU-SP 75/5	75x600x1000 mm	56
680146	LU-SP 75/5	75x750x1500 mm	105
680151	LU-SP 100/5	100x500x1000 mm	59
680152	LU-SP 100/5	100x500x1500 mm	81
680155	LU-SP 100/5	100x750x1000 mm	81
680156	LU-SP 100/5	100x750x1500 mm	121
680161	LU-SP 125/5	125x500x1000 mm	63
680162	LU-SP 125/5	125x500x1500 mm	95
680165	LU-SP 125/5	125x750x1000 mm	94
680166	LU-SP 125/5	125x750x1500 mm	143

LU-SP fixing methods

Standard attachment details for LU-SP - Through-bolt



Trough-bolt

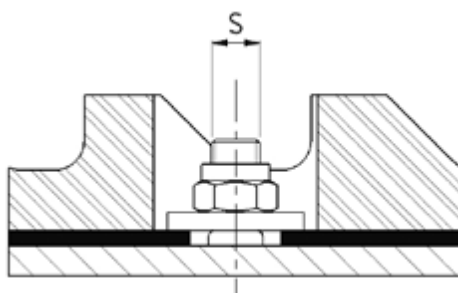


Fastening dimensions for through-bolt system				
LU-SP type	D (mm)	D (mm)	Bolt size	Torque (Nm)
LU-SP 50; LU-SP 75	40	18	M16	190
LU-SP 100; LU-SP 125	54	22	M20	370

Standard attachment details for LU-SP - Stud welded bolt

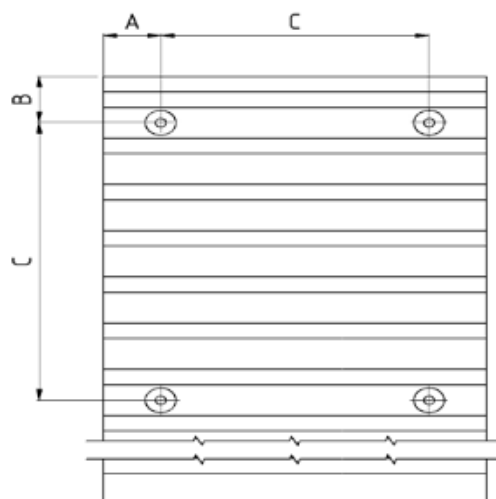


Stud-welded bolt

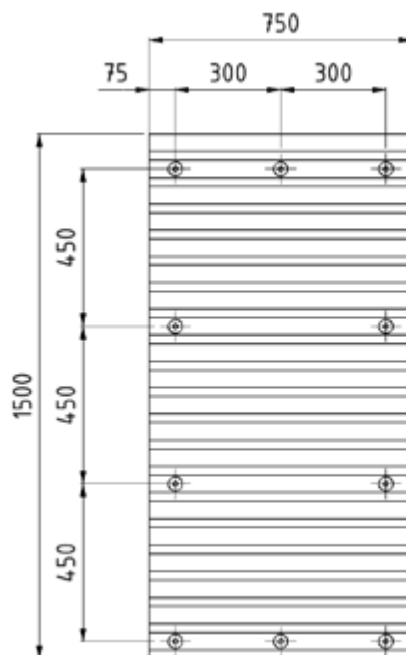
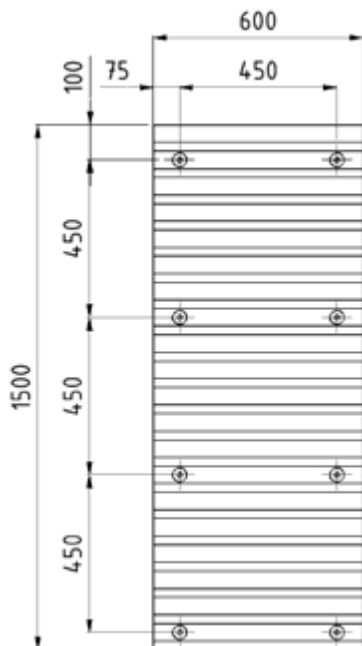
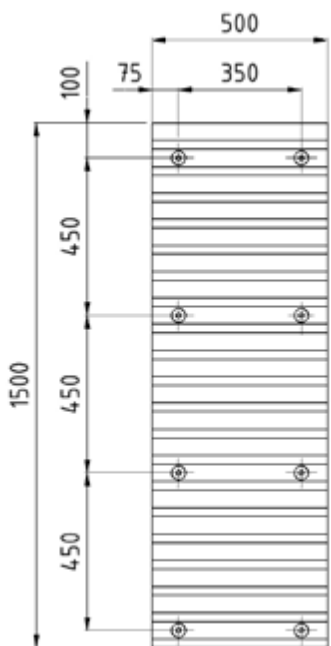
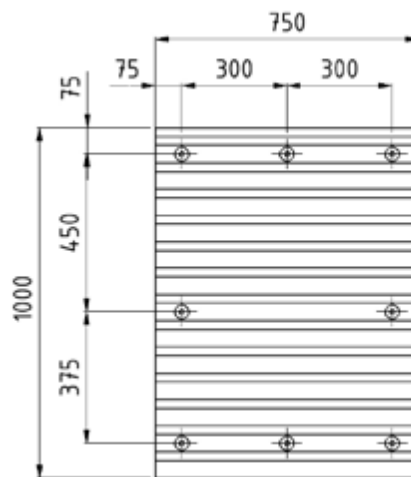
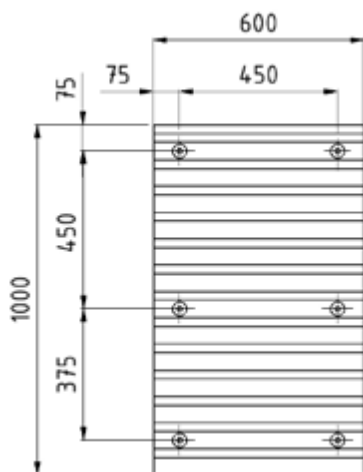
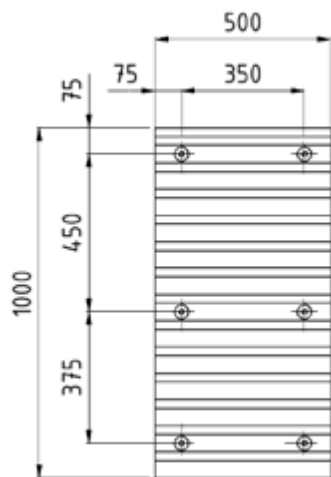


Fastening dimensions for stud-welded bolt system				
LU-SP type	D (mm)	D (mm)	Bolt size	Torque (Nm)
LU-SP 50; LU-SP 75	54	30	M16	110
LU-SP 100; LU-SP 125	54	34	M20	220

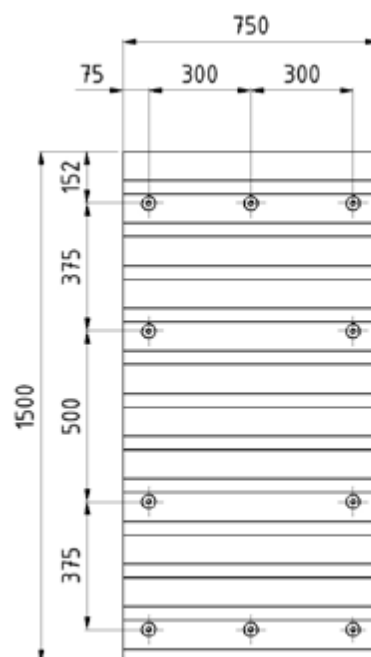
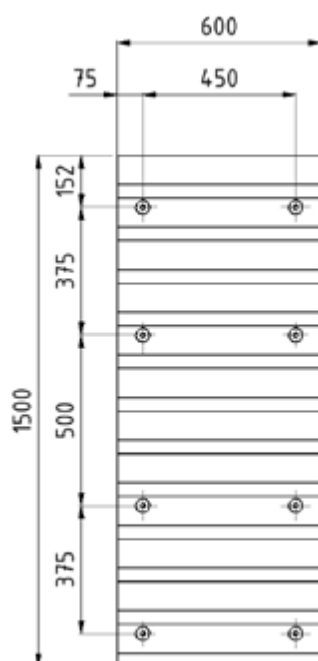
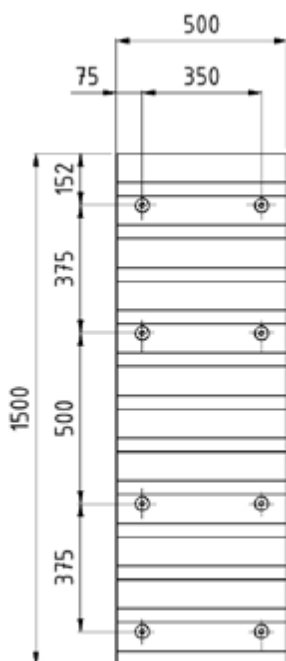
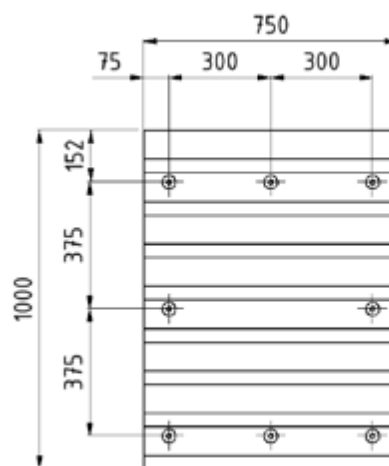
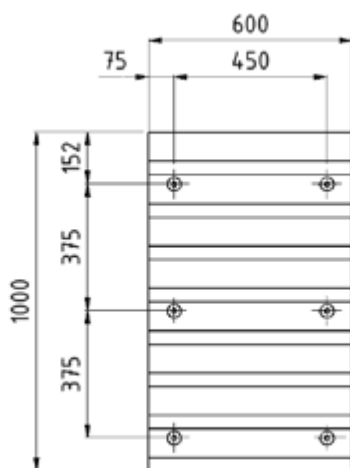
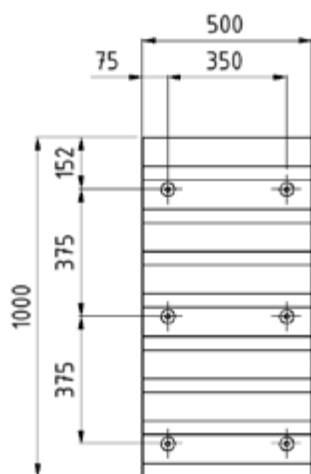
Drilling pattern limits		
Measurements	Min (mm)	Max (MM)
A	50	150
B	50	200
C	50	600



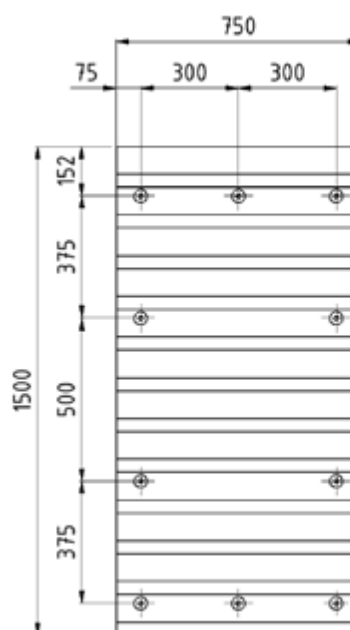
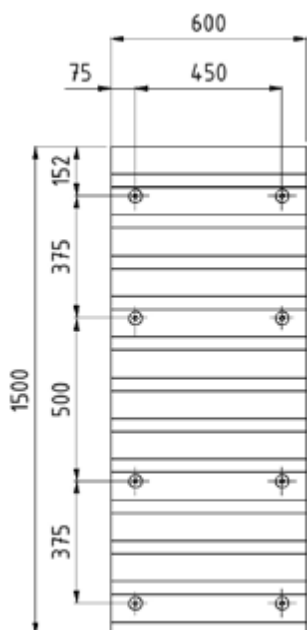
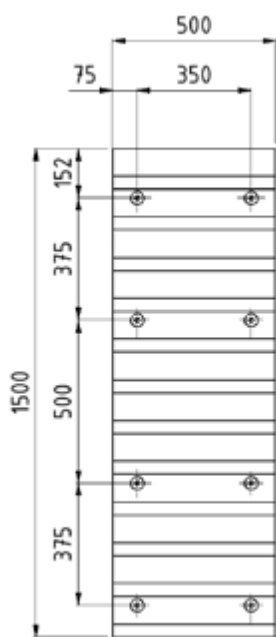
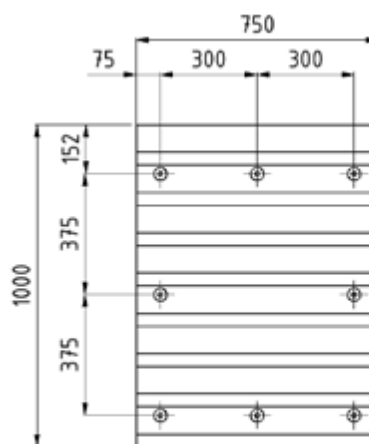
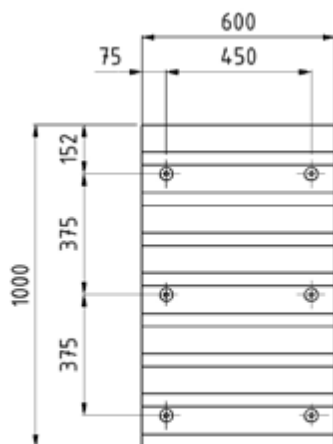
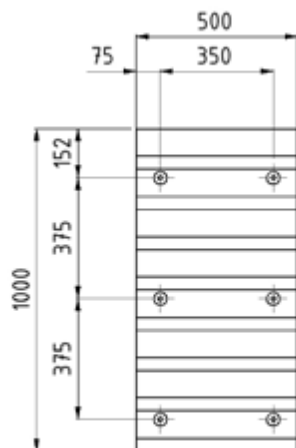
Standard drilling patterns for LU-SP 50



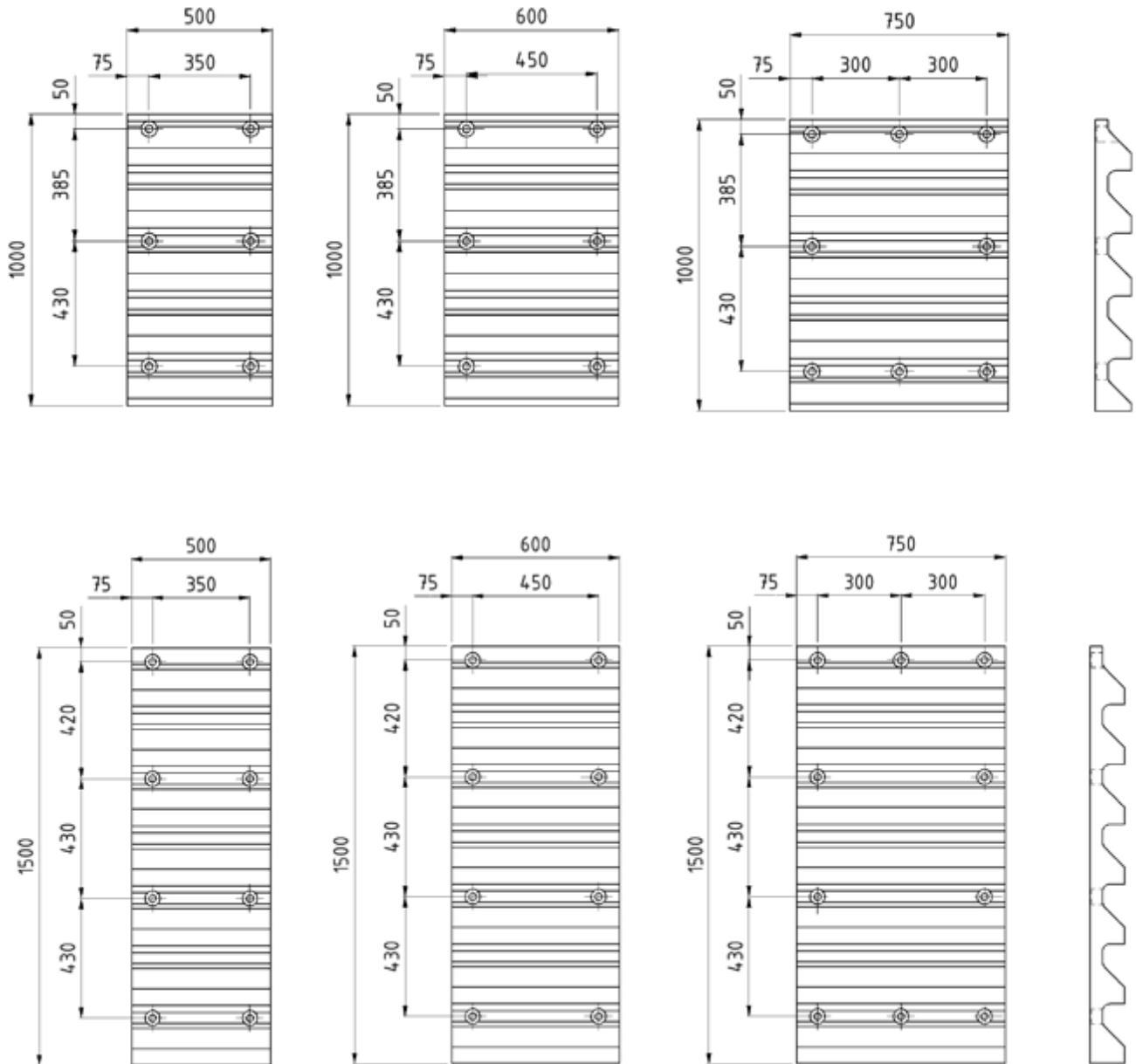
Standard drilling patterns for LU-SP 75



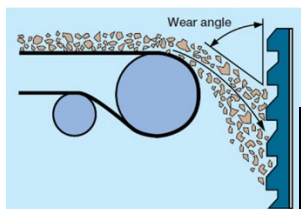
Standard drilling patterns for LU-SP 100



Standard drilling patterns for LU-SP 125



Trellex SP general selection guide



		Impact angle 10° - 50°						
		Particle size						
		25 mm	50 mm	75 mm	100 mm	150 mm	200 mm	300 mm
		0,1 kg	0,3 kg	1,0 kg	3,0 kg	10,0 kg	30,0 kg	100,0 kg
Drop height	0,5 m	SFB35	SFB35	LU-SP50	LU-SP50	LU-SP50	LU-SP75	LU-SP100
	1,0 m	SFB35	SFB35	LU-SP50	LU-SP50	LU-SP75	LU-SP100	LU-SP125
	1,5 m	SFB35	LU-SP50	LU-SP50	LU-SP75	LU-SP75	LU-SP100	LU-SP125
	2,0 m	LU-SP50	LU-SP50	LU-SP50	LU-SP75	LU-SP75	LU-SP100	LU-SP125
	2,5 m	LU-SP50	LU-SP50	LU-SP50	LU-SP75	LU-SP75	LU-SP100	LU-SP125
3,0 m	LU-SP50	LU-SP50	LU-SP50	LU-SP75	LU-SP75	LU-SP100	LU-SP125	

Proposed products are recommendations only.